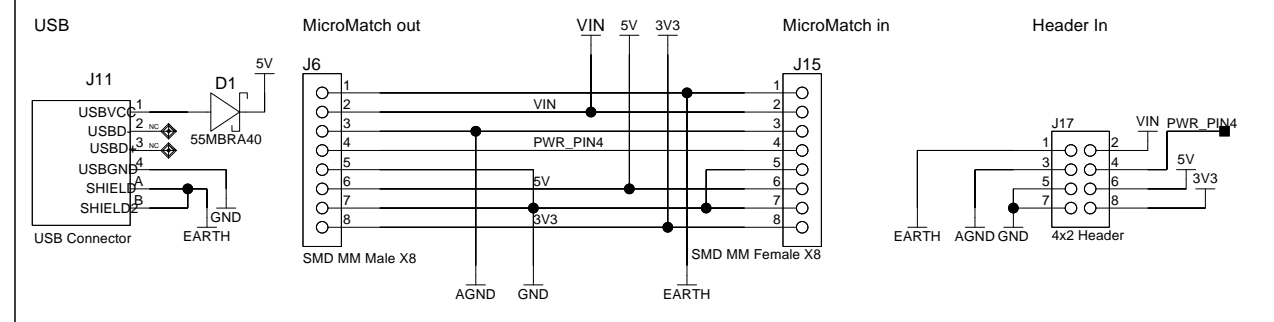
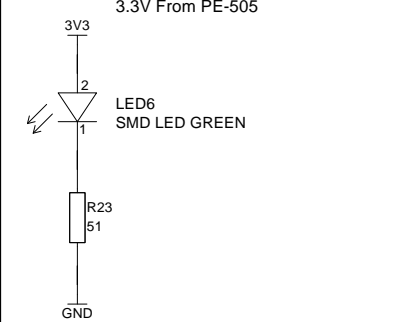


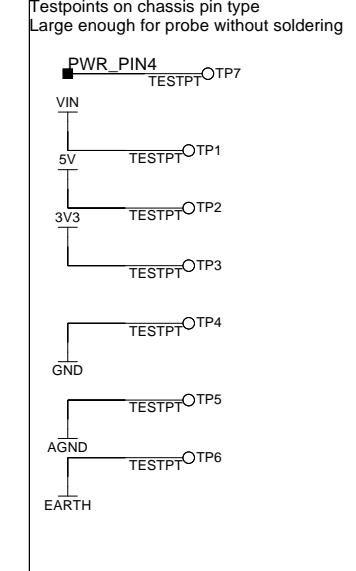
Power Inputs



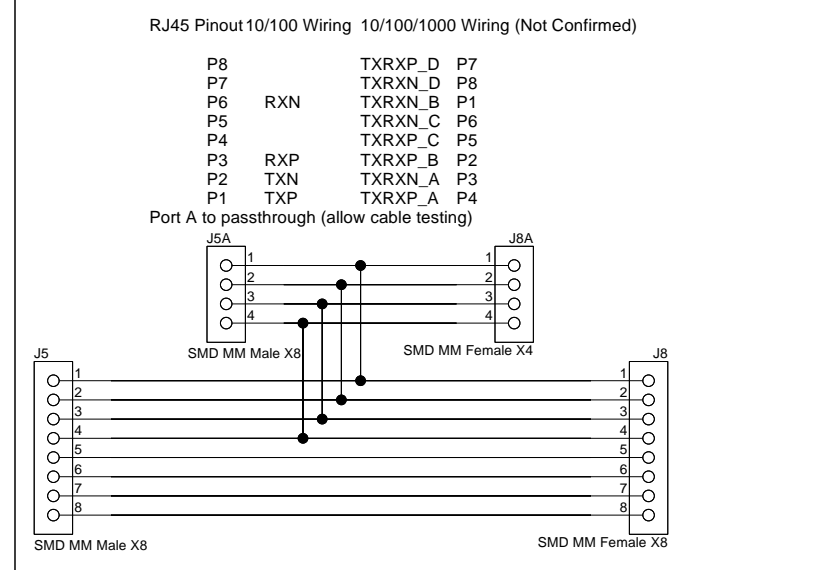
Power LED



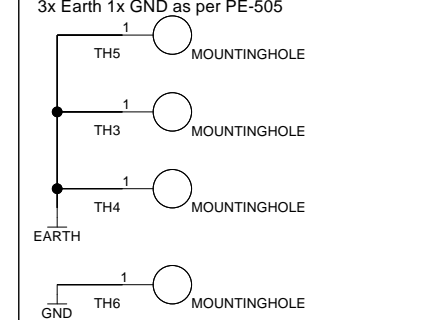
Power Net Testpoints



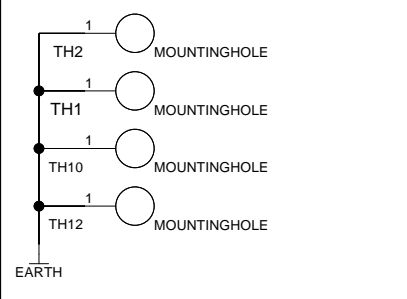
Ethernet Connections



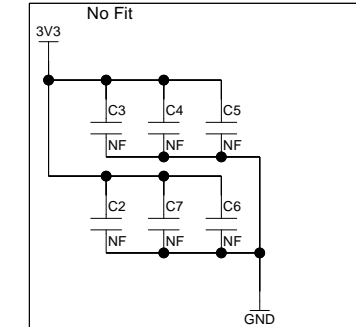
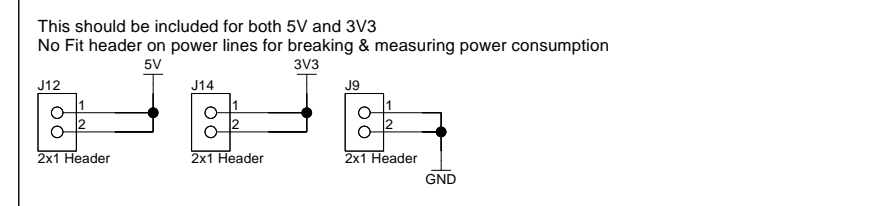
Mounting Holes



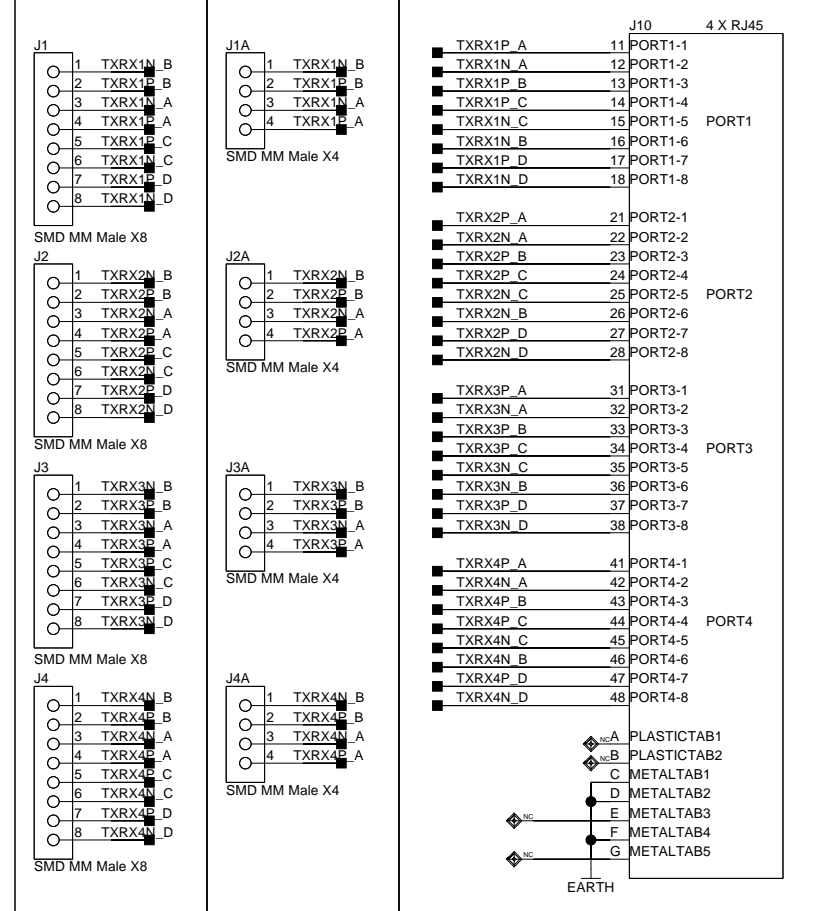
PCB Mounting Holes



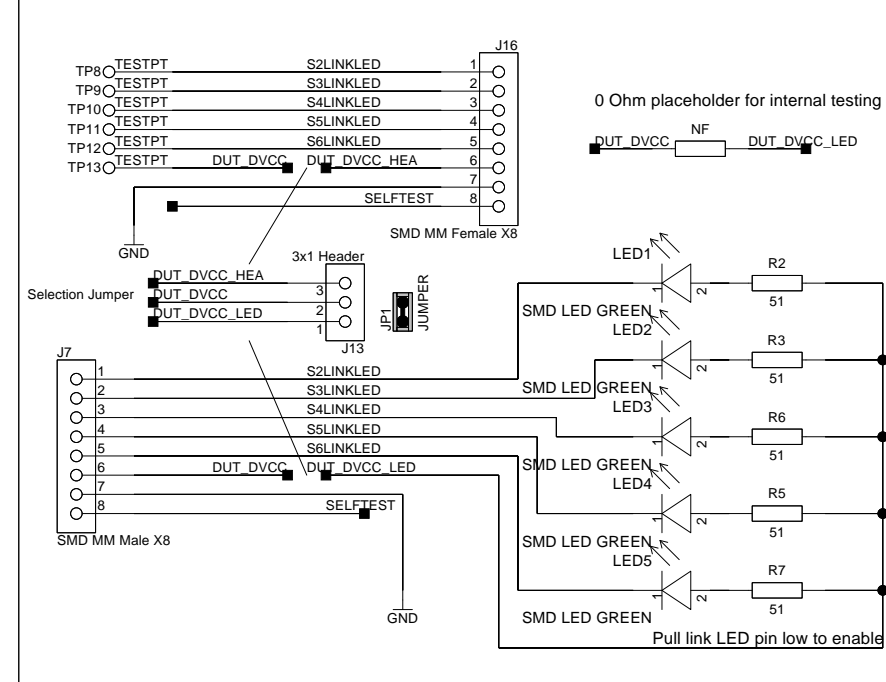
Power Consumption



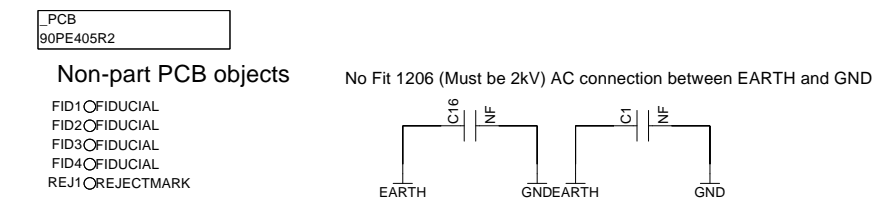
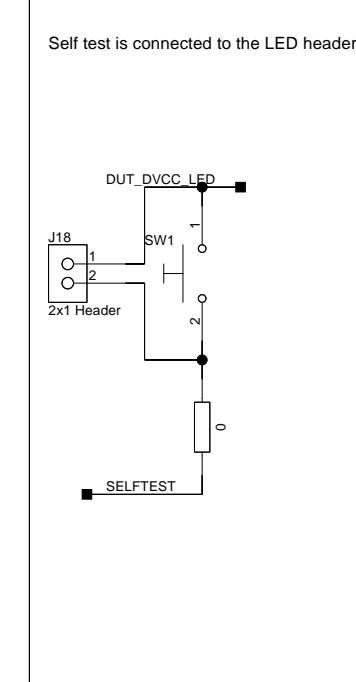
Gigabit Connectors



Link LEDs



Self-Test



Revision	Release Date
R2	10/2023 - BH

Title Pure embedded switch evaluation Board 5 port	
Number 90PE405R2	Revision 2
Date: 04/10/2023:09:08	Sheet 1 of 2
Drawn By: BH	Checked By: